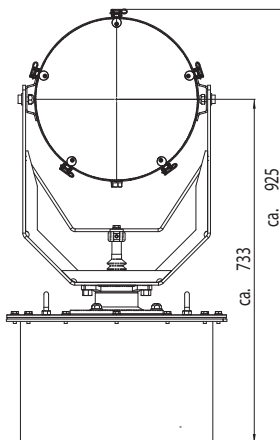
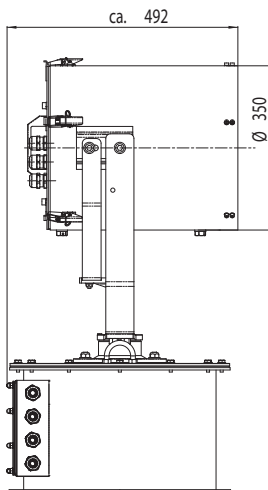




Canis
SS 260 XR 150W



Technical Data

Name & No.	kg	Description
Canis SS 260 XD		<ul style="list-style-type: none"> • IP 56 • housing and crutch made of stainless steel, base made of RG5, toughened soda-lime glass lens, parabolically lead coated mirror
Canis SS 260 XDP		<ul style="list-style-type: none"> • all surfaces white powdercoated RAL 9016 • silicone gaskets
Canis SS 260 XR		<ul style="list-style-type: none"> • without lamp • thermostatically controlled • electric remote focus
Canis SS 260 XRP		<ul style="list-style-type: none"> • pan: 370° • tilt: -35°/+20° • certification: German Lloyd • also available with shutter

Optical Performance

Electric Voltage	Electric Power	Peak Beam Candle Power	Range M 1 Lux	Beam Angle
115V AC	150W	10,4 x 10 ⁶ cd	3.000 m	min. 1°
230V AC	150W	10,4 x 10 ⁶ cd	3.000 m	min. 1°

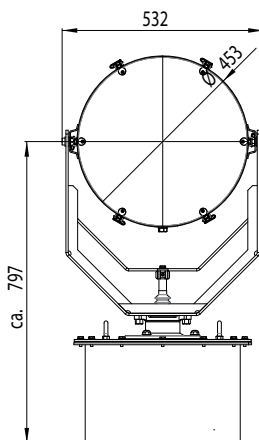
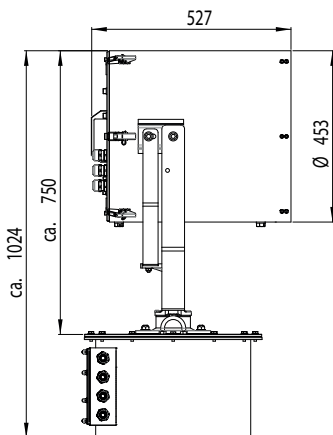
Variations

Mounting Variations	Name	Description
Deck	D	• manual operation of searchlight
Remote Control	R	• searchlight mounted on electric remote control unit complete with joystick, control panel for flush console installation
Pedestal	P	• searchlight on pedestal 1m high, special heights on request

Spare Parts on request



Canis
SS 350 XR 500W



Technical Data

Name & No.	kg	Description
Canis SS 350 XD	48,00	<ul style="list-style-type: none"> • IP 56 • housing and crutch made of stainless steel, base made of RG5, toughened soda-lime glass lens, parabolically lead coated mirror
Canis SS 350 XDP	60,50	<ul style="list-style-type: none"> • all surfaces white powdercoated RAL 9016 • silicone gaskets
Canis SS 350 XR	98,50	<ul style="list-style-type: none"> • without lamp • thermostatically controlled • electric remote focus
Canis SS 350 XRP	131,50	<ul style="list-style-type: none"> • pan: 370° • tilt: -35°/+20° • certification: German Lloyd • also available with shutter

Optical Performance

Electric Voltage	Electric Power	Peak Beam Candle Power	Range M 1 Lux	Beam Angle
115V AC	500W	25 x 10 ⁶ cd	500 m	1,3°
230V AC	500W	25 x 10 ⁶ cd	500 m	1,3°
115V AC	1.000W	43,9 x 10 ⁶ cd	6.600 m	1°
230V AC	1.000W	43,9 x 10 ⁶ cd	6.600 m	1°

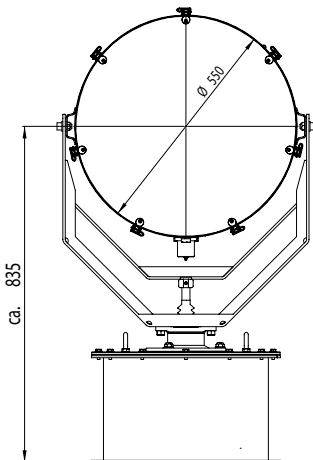
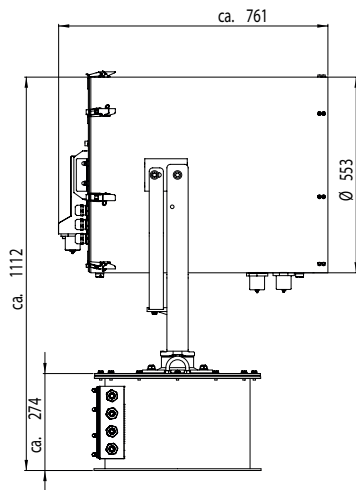
Variations

Mounting Variations	Name	Description
Deck	D	• manual operation of searchlight
Remote Control	R	• searchlight mounted on electric remote control unit complete with joystick, control panel for flush console installation
Pedestal	P	• searchlight on pedestal 1m high, special heights on request

Spare Parts on request



Canis
SS 450 XR



Technical Data

Name & No.	kg	Description
Canis SS 450 XD	59,00	<ul style="list-style-type: none"> • IP 56 • housing and crutch made of stainless steel, base made of RG5,
Canis SS 450 XDP	71,50	<ul style="list-style-type: none"> • toughened soda-lime glass lens, parabolically lead coated mirror • all surfaces white powdercoated RAL 9016 • silicone gaskets
Canis SS 450 XR	108,50	<ul style="list-style-type: none"> • without lamp • thermostatically controlled • electric remote focus
Canis SS 450 XRP	141,50	<ul style="list-style-type: none"> • pan: 370° • tilt: -35°/+20° • certification: German Lloyd • also available with shutter

Optical Performance

Electric Voltage	Electric Power	Peak Beam Candle Power	Range M 1 Lux	Beam Angle
115 V	1.000W	50 x 10 ⁶ cd	7.070 m	1,3°
230 V	1.000W	50 x 10 ⁶ cd	7.070 m	1,3°
115 V	2.000W			1,3°
230 V	2.000W			1,3°
115 V	3.000W	80 x 10 ⁶ cd	12.000 m	1,3°
230 V	3.000W	80 x 10 ⁶ cd	12.000 m	1,3°

Variations

Mounting Variations	Name	Description
Deck	D	• manual operation of searchlight
Remote Control	R	• searchlight mounted on electric remote control unit complete with joystick, control panel for flush console installation
Pedestal	P	• searchlight on pedestal 1m high, special heights on request

Spare Parts on request

